

## Wire Wound Chip Common Mode Chokes - MM3225 SERIES



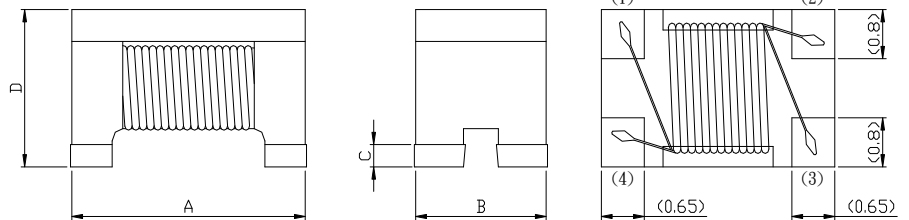
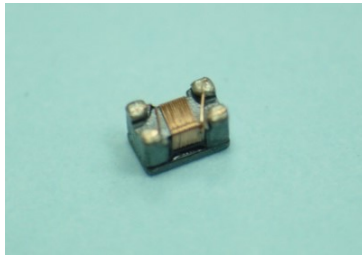
### FEATURES

1. Miniature surface mount component – 3.2 × 2.5 mm footprint, 2.2 mm high
2. Application for CAN-BUS, Fax, ISDN, FlexRay system , Ethernet System .
3. Compact products (3225 size), whose characteristics are equivalent to that of conventional products (MM4532).
4. Common mode filters for CAN-BUS/FlexRay, compatible with an operating temperature range of –55 to +150°C.
5. Operating temperature range: –55 to +150°C with Compliant with AEC-Q200 .

### PART NUMBERING SYSTEM

<b>MM</b>	<b>3225</b>	—	<b>102</b>	—	<b>LF</b>
TYPE	DIMENSIONS		INDUCTANCE		LEAD FREE

### SHAPES AND DIMENSIONS



**A=3.2±0.2 B=2.5±0.2 C=0.2±0.1 D=2.2±0.2**

### SPECIFICATION TABLE

PART NUMBER	Common Mode Impedance(Ω) (at 100MHz)	RATED CURRENT (mA)	DCR(Ω) (Max)	RATED VOLTAGE (Vdc)	INSULATION RESISTANCE (MΩ)
MM3225-800-LF	80±25%	2,000	0.15	50	10 min.
MM3225-601-LF	600±25%	1,000	0.25	50	10 min.
MM3225-102-LF	1,000±25%	1,200	0.35	50	10 min.

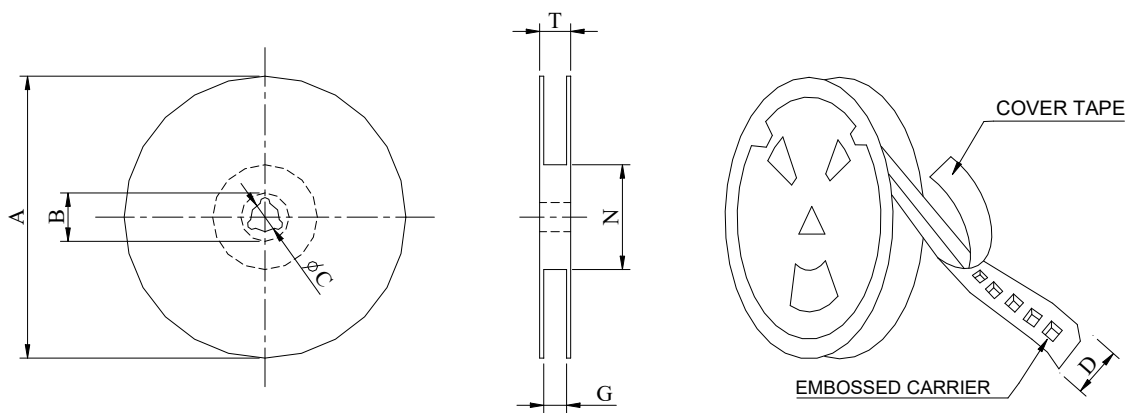
Operating Temperature Range : -55°C to 150°C



## Wire Wound Chip Common Mode Chokes - MM3225 SERIES



### PACKAGING SPECIFICATION



\*CARRIER TAPE WIDTH : D

SERIES	STAYLE	Q'TY (PCS)	DIMENSIONS (m/m)								
			A	Ao	Bo	Ko	t	N	P	Po	D
MM3225	178	1,000	178	2.8	3.60	2.20	0.24	60	4	4	8.0